

Feature:

- Smart size
- 5W、20W optional
- Industrial level of PCB connector 5.08-2P
- Long lifetime>4000hrs
- High stability, spectral shift $\leq 5\%$ per hours.
- Broad spectrum, 360-2500nm
- Accurate luminance position ± 0.127
- Light intensity adjustable
-

Application

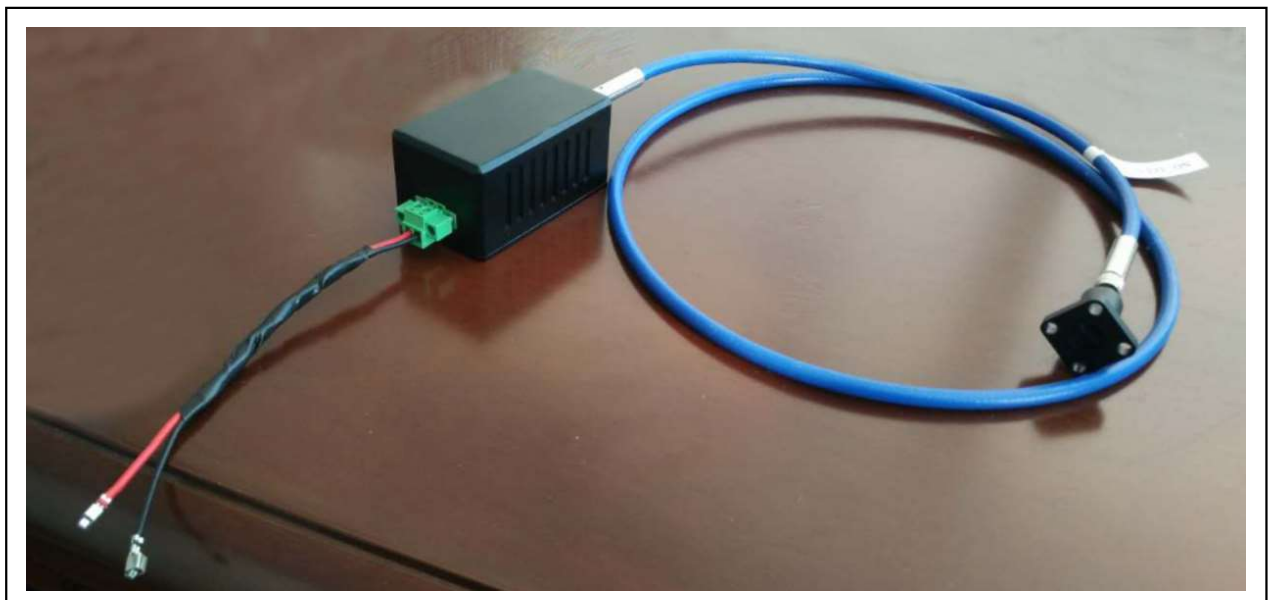
- VIS, IR spectrophotometer
- Fluorescence analysis
- Chemical immunology analysis
- Air pollution analysis
- Waste water analysis
- Microscope illumination
- Industrial automation

Description:

ATG1002 Tungsten Halogen Light Source for VIS-NIR (360 nm-2500 nm) offers diverse models and performance characteristics to match your measurements. It include an adjustable focusing of the SMA 905 connector to maximize light coupling into the fiber. From high-power to long lifetime, ATG1002 provides flexibility in lab or field for measurements between 360-2500 nm.

ATG1002 features a high-power lamp delivering 20 W of power.

It uses German Osram long lifetime lamp that extends operation to 4,000 hours.



1 Description:

Specification	ATG1002
Power	12V/500mA
Lamp power	5W or 20W
Lifetime	4000hours
Lamp illuminance	55lm
Color temperature	3000k
Drift of optical output:	< 5‰ per hour
Connector	Industrial PCB connector, 5.08-2P
Operating temperature	-20-45°C

2. Power interface

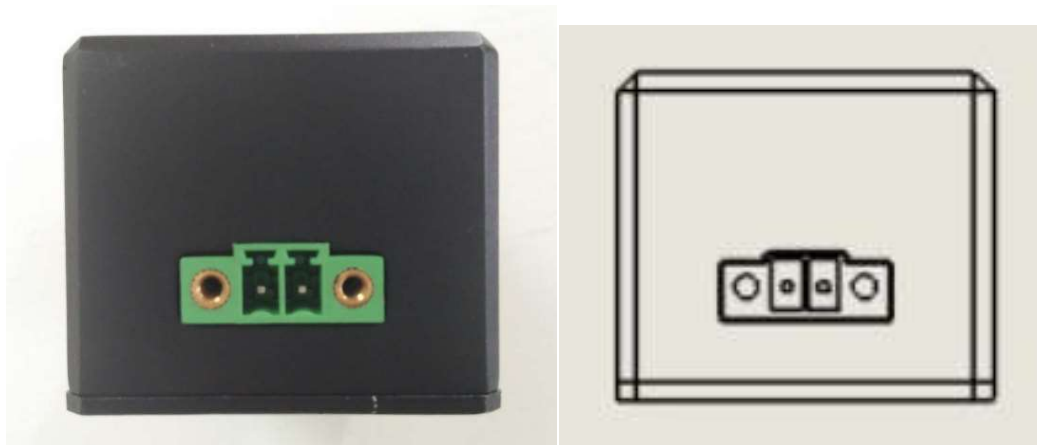
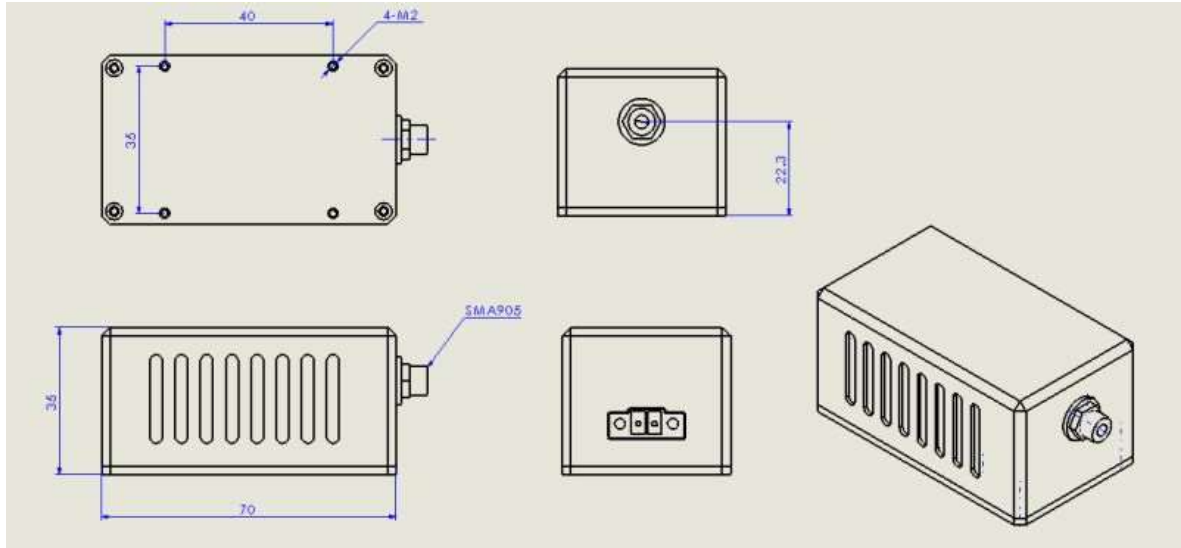


Fig 5.08-2P interface sketch

3. Mechanical dimension



3. Order guide

Item	Power	
ATG1002	5W	
ATG1002-20	20W	